

ONLY HAMSPHERE VERSION 1

How to receive EasyPAL picture via HamSphere

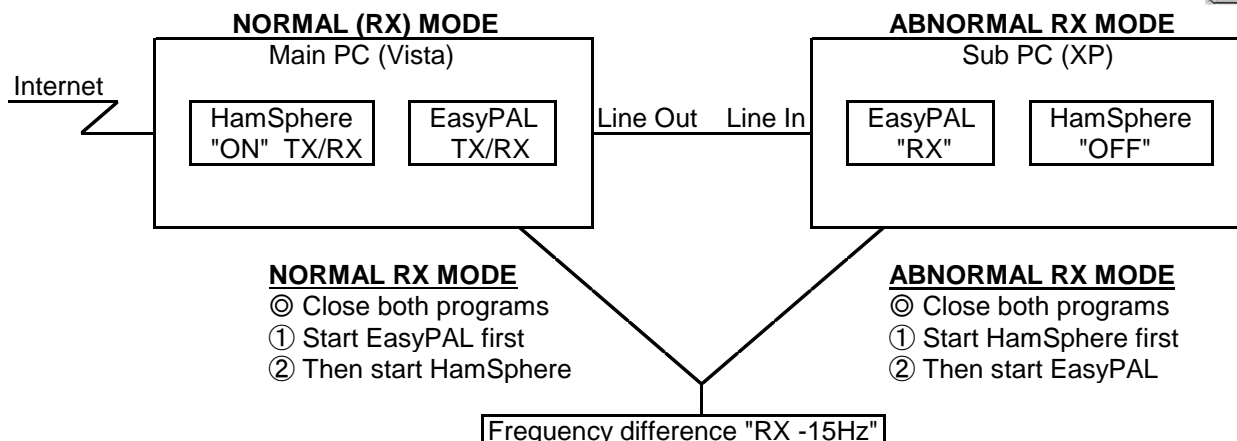
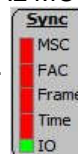
May/5/2009
Ted, JA2GZZ

We know, EasyPAL has two Tuning modes, Yoshi JA5CU called "NORMAL MODE" and "ABNORMAL MODE" first time. It has NO COMPATIBILITY between NORMAL MODE and ABNORMAL MODE.

Example: His signal level and modulations were good, but no SNR and couldn't MSC Synchronize ...

Maybe you were running with different Modes.

(In this case, it'll be indicate frequency difference "RX -15Hz" at EasyPAL RX screen)



(EasyPAL 31/DEC/2008 + HamSphere 20090103_30)

Main PC is running with NORMAL RX MODE of EasyPAL.

Allow to receives NORMAL MODE picture. And it's unable to receives ABNORMAL MODE picture.

NOTES1: XMIT MODE is depends on PC.

Sub PC is running with ABNORMAL RX MODE of EasyPAL.

Allow to receives ABNORMAL MODE picture. And it's unable to receives NORMAL MODE picture.

NOTES2: (XMIT MODE is depends on PC.)

NOTES1: If you've Windows XP, may be XMIT ABNORMAL MODE, but it's depends on PC
My Windows Vista will XMIT NORMAL MODE (Different of XP PC)

NOTES2: (If you've Windows XP, may be XMIT NORMAL MODE, but it's depends on PC)
(My Windows Vista will XMIT NORMAL MODE)

NOTES3: I can't XMIT ABNORMAL MODE by Main PC.
I can receive NORMAL MODE by Main PC.
I can receive ABNORMAL MODE by Sub PC.

Allow to receives NORMAL MODE and ABNORMAL MODE EasyPal picture by one physical PC.

I installed Microsoft Virtual PC 2007 to my PC (Windows 7), and then installed a Guest OS (Windows XP).

Guest PC (Windows XP):

Installed HamSphre and EasyPAL to Guest PC.

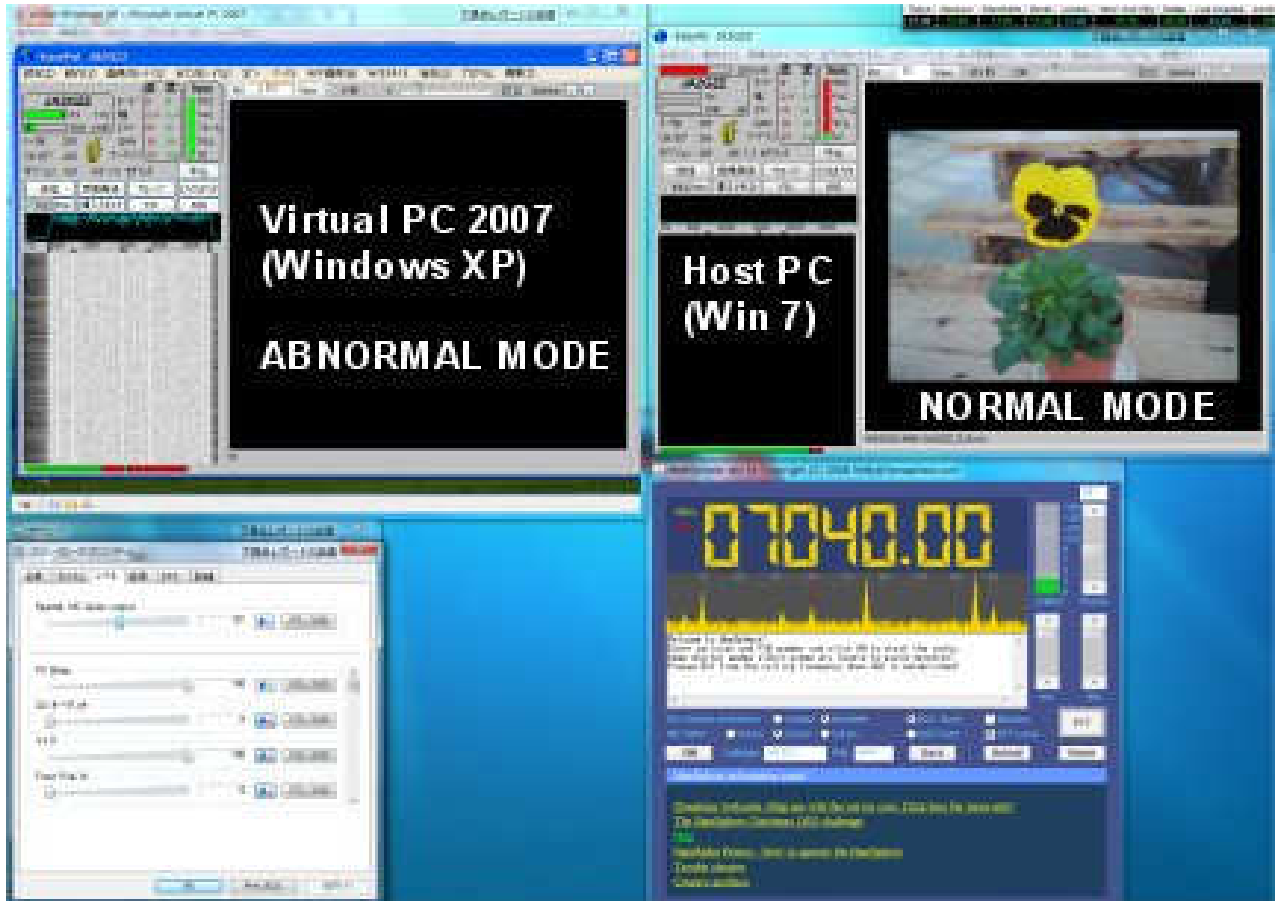
AIM: Using EasyPAL with ABNORMAL RX MODE.

* ABNORMAL RX MODE; Start HamSpher fierst, then start EasyPAL - also ABNORMAL TX MODE ... in case of my PC.

* (NORMAL RX MODE; Start EasyPAL fierst, then start HamSpher - also NORMAL TX MODE ... in case of my PC)

Host PC (Windows 7) for NORMAL RX MODE.

* NORMAL RX MODE; Start EasyPAL fierst, then start HamSpher - also NORMAL TX MODE ... in case of my PC.



Windows 7 has new feature mode "Virtual Windows XP", it likes "Microsoft Virtual PC 2007" but they are different. My "Virtual Windows XP" mode couldn't work AUDIO with HamSphere and/or CQ100 under the Windows 7.

RECOMMENDED

I tried VMware Player, I think **VMware Player** is better than Microsoft Virtual PC 2007 and Virtual Windows XP.

Guest PC (windows XP): Using EasyPal for ABMORMAL RX MODE.

* ABNORMAL RX MODE; Start HamSphere fierst, then start EasyPal. - also NORMAL TX MODE ... in case of my PC